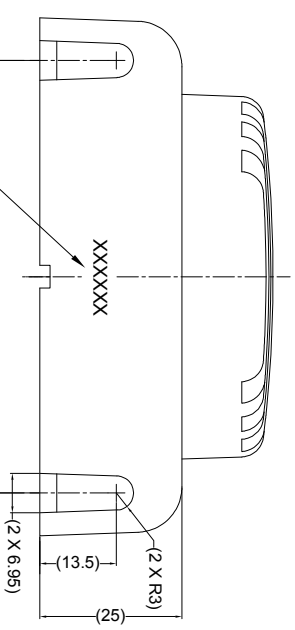
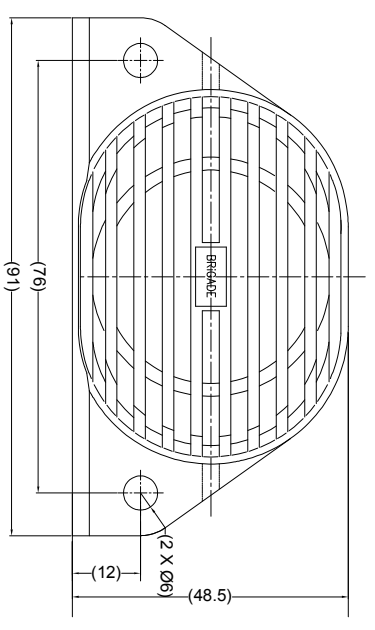
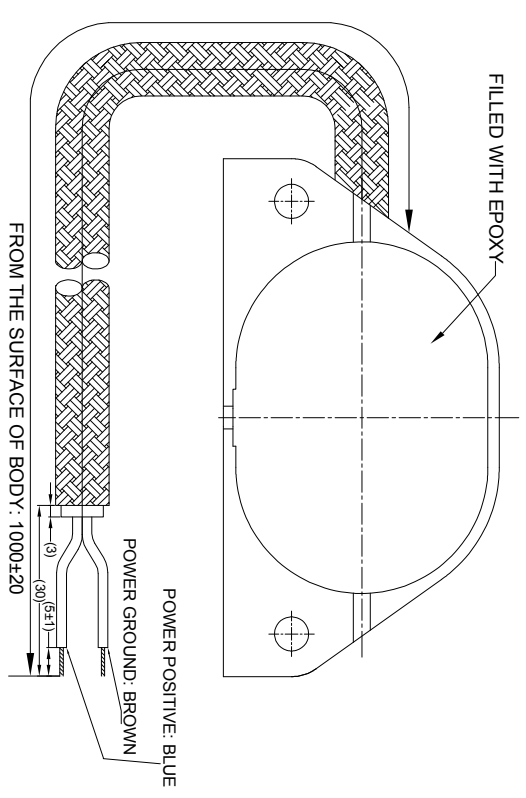
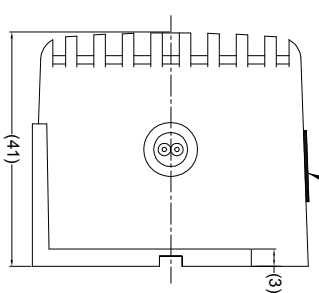
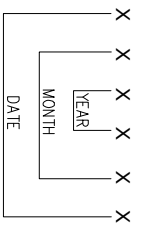


Revision Notes			
R1 - NOTES UPDATED TO INCLUDE LABEL DETAILS AS PER ECR CR-4271.			
APR. KIJDA	Drawn/BATES	Checked/M.BUTLER	Approved/G.LITH
			Date: 28/08/14

PRODUCT LABEL LOCATION



PRODUCTION LOT NO



PRODUCT VALIDATION:
THE PARAMETERS OF THE PRODUCT SPECIFICATION 4, 5, 6 AND 7 ABOVE SHOULD BE MAINTAINED FOR THE TESTS STATED BELOW:

1. MEASUREMENT WILL BE DONE AT -20°C, +20°C AND +50°C.
2. WATER RESISTANCE: TO BE FREE FROM ABNORMALITY AFTER TESTED AS SPECIFIED ABOVE IN S1 JIS D0203.
3. VIBRATION RESISTANCE: REQUIREMENTS SPECIFIED ABOVE AFTER SUBJECTING AS VIBRATED TO 70mmS² 33.3Hz (2000CC/MIN) UP/DOWN FOR 4HR, RIGHT/LEFT FOR 2HR AND FRONT/REAR FOR 2HR UNDER STAGE 70 JIS D 1601
4. DURABILITY: REQUIREMENTS SPECIFIED ABOVE SHALL BE SATISFIED AFTER SUBJECTED TO TEST OF CONSECUTIVE 500Hr AT TEST VOLTAGE OF +28±0.1V AT ROOM TEMPERATURE.
5. SURGE VOLTAGE RESISTANCE: TO BE FREE FROM ABNORMALITY FOR UP TO 10msec AT 80 VOLTS.

- PRODUCT SPECIFICATIONS:
1. RATED VOLTAGE: 12V, 24VDC
 2. WORKING VOLTAGE RANGE: 9V ~ 32VDC
 3. OPERATIONAL TEMPERATURE RANGE: -20°C TO +50°C
 4. SOUND PRESSURE: SOUND PRESSURE IS MEASURED AT A DISTANCE OF 1M IN FRONT OF BODY AT A HEIGHT OF 1M ABOVE GROUND AT RATED VOLTAGE. NOTE: THE FIGURES BELOW SHALL BE SATISFIED AT OPERATING VOLTAGE BETWEEN 11V AND 32VDC. AT TEMPERATURE +20°C.
 - NORMAL MODE: 90±4dB(A).
 - FOR OPERATIONAL TEMPERATURE RANGE: NORMAL MODE: 90±4/-7dB(A).
 5. RATED CURRENT: LESS THAN 200mA AT RATED VOLTAGE.
 6. FREQUENCY: 1150±200Hz AS POWERED AT RATED VOLTAGE.
 7. INTERMITTENCY: 72±10 CYCLES/MIN. AT RATED VOLTAGE. ON/OFF DUTY CYCLE 50±10%.

ITEM	PART NO	QTY	MODEL/DESCRIPTION
①	4589	1	BA-32ADR-A ALARM ONLY (NO DRAWING)
②	3587	1	BACKLARM INSTRUCTION MANUAL (NOT SHOWN)
③	4577	1	CAB WARNING STICKER FOR ALARM (NOT SHOWN)

- NOTES:
1. FINISH: BLACK ABS PLASTIC
 2. FOR PRODUCT LABEL REFER TO LATEST REVISION OF DRAWING BE-002833-XX-14.
 3. FOR GIFTBOX LABEL REFER TO LATEST REVISION OF DRAWING BE-002834-XX-14.
 4. "R" TRIANGLE INDICATES CHANGES MADE TO REVISION OF DRAWING AS IDENTIFIED IN REVISION NOTES.

PROPRIETARY NOTICE
THIS DESIGN AND TECHNICAL INFORMATION APPEARING ON THIS DRAWING IS THE PROPERTY OF BRIGADE ELECTRONICS, AND IS DISCLOSED IN CONFIDENCE. IT IS NOT TO BE COPIED, REPRODUCED, REVEALED TO OR EXPROPRIATED BY OTHERS, EITHER IN WHOLE OR IN PART WITHOUT THE EXPRESS WRITTEN CONSENT OF BRIGADE ELECTRONICS.



Assembly Pl Approval KIJDA		Approved by B.JOHN		Checked by M.BUTLER		Drawn by L.BRAR	
Angle of Projection Third Angle		Units mm	Scale N/A	Released 11/11/13	Assembly Ref BA0321102		
Status RELEASED		BA-32ADR					
Part No 1160B		BE-002720-01-13					